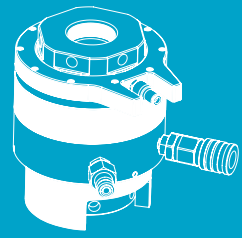


# *Tentec Airbac bolt tensioners*



A groundbreaking range of air activated piston retract tensioners focused on improving operational productivity



# Tentec Airbac Bolt Tensioners

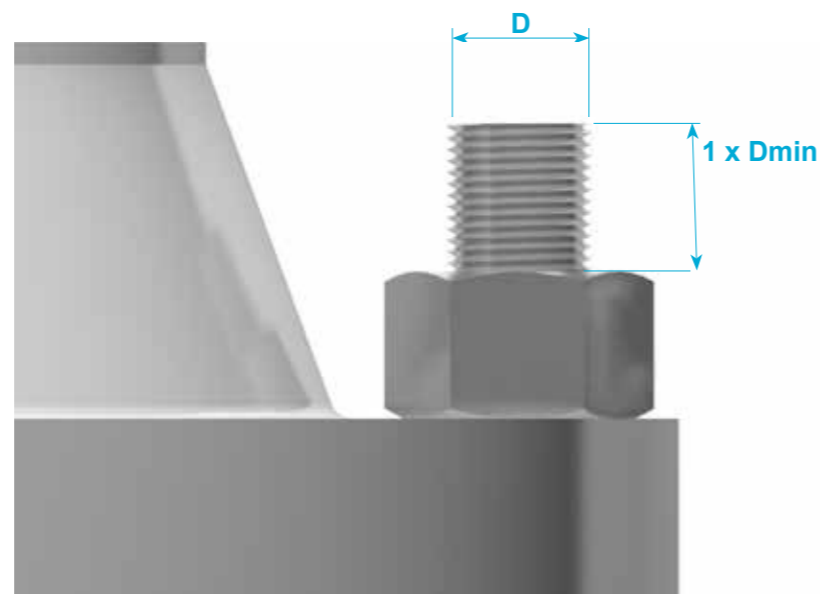
## Topside Bolt Tensioning

The patented Airbac range of Tentec topside bolt tensioning tools consist of 6 base tools covering bolt sizes from 3/4" to 4" (M20 to M100). The tools are designed to fit on to most ANSI B16.5, ANSI B16.47 Series 1, MSS-SP44, API-6A and API-17D flanges.



## Bolt Protrusion

The patented Airbac Series tensioners need a minimum of 1 x bolt diameter protruding above the hexagon or round nut.



## Available for Customised Solutions

The patented Airbac piston retract technology can also be incorporated into our custom tensioner designs ensuring that customers who have unique applications can also benefit from operational time savings

Reduced diameter thread insert provides weight saving

One piece end cap and valve protection brackets

One way air valve for rapid re-charging

Outside diameter same as CTST model ensuring compatibility with ASME, ANSI and API flanges

Standard bridge and NRS interchangeable with CTST tool range

## Conversion Kits

Conversion Kits offer a very economical way to expand your inventory of bolt tensioning tools. Kits are available to convert the patented Airbac tensioner to suit an alternative bolt size within its size range. Kits consist of a Puller, Bridge and Nut Rotating Socket. Please refer to technical data sheet for corresponding conversion kits.

## Bolt Tightening Solutions

*Consistent, Dependable and Safe.*

*Using multiple bolt tensioning tools on a bolted joint gives a much improved uniform bolt load across all bolts.*

*Axial Bolt Load: Bolt load is applied axially to the bolt. Inconsistencies such as friction, bending and lubricant are not a factor when using bolt tensioners. No torsional stresses are involved.*

*Rapid: Multiple bolt tensioners offer a rapid and accurate method of tightening a bolt.*

*Accurate: Bolt load is directly proportional to the pressure applied to the tensioner.*

## Benefits

- Piston return more than 3 times as fast as spring assisted tensioners
- A 20% weight saving versus spring assisted equivalents reduces operator fatigue
- Enhanced corrosion protection for harsh environments
- Identical hydraulic pressure areas, load outputs, and MWP (1500 bar) as the CTST range
- Easier and less frequent maintenance than spring assisted tensioners



## Pump Options

Operation of the Airbac tools is simple and users can choose a pump system to best match their needs. The new style pump unit comes complete with the integrated Airbac charging system, whereas the retro-fit kit easily and quickly adapts to the standard Tentec Air driven pump unit allowing existing customers to utilise pumps already in their fleet

## New Style

- . Built in re-charging system
- . Stainless Steel frame
- . Reduced size and weight
- . Hi Flow 600 motor as standard, 500 motor optional

10 times faster piston retraction than our standard air operated pump unit



## Retro fit kit

- . Rapidly installed using just two bolts
- . Separate FRL controls charging pressure
- . Reduces overall investment cost

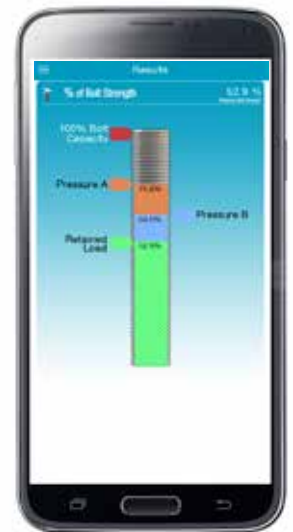


Tentec Part No.	Description	Ordering No.
HTT.18007.000A	Airbac Pump	4222260106
HTT.18008.000A	Retro -fit kit	4222260107

## Tentec BTS-Bolt Tightening Software & IOS/Android APP

Airbac's technical data has been built into our Bolt Tightening Software to complement our other standard tension and torque tightening products. The latest AMSE PCC-1 compliant version is now also available to install on IOS and Android platforms allowing users even easier access to critical calculations and bolt tightening procedures. The software includes data for the following standard flanges:

- ANSI B16.5
- ANSI B16.47 Series A
- MSS SP-44
- API 6A
- API 17SV
- Vector SPO Compact Flanges
- Norsok L-005



**Committed to sustainable productivity**

[www.atlascopco.com](http://www.atlascopco.com)

**Atlas Copco**